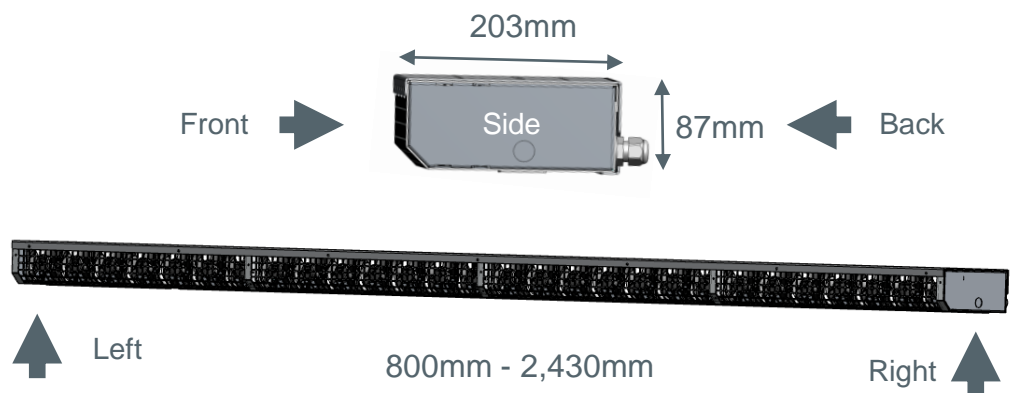


blueSeal compact

The air curtain that keeps the cold or heat in vehicles

- The BlueSeal air curtain creates an effective and invisible climate separation in vehicles: it keeps the cold / heat inside, and ambient humid air out during door openings
- It is an innovative air curtain perfected for temperature controlled transport of temperature sensitive products
- BlueSeal is a better performing alternative to PVC strip curtains
- The BlueSeal compact air curtain fits in most types of road transport vehicles: (semi)-trailers, trucks, vans, (incl. vehicles with shutter doors)



Technical specifications

Length	800mm – 2,430mm (in increments of 10mm)
Height	87mm
Depth	203mm
Execution	Aluminium (anodized)
Fan type	Axial
# Fans	28
Voltage	24V and 12V
Electric power	124W (51W per meter)
Electric current	5.2A (2.1A per meter) – (24V model) 9.1A (3.6A per meter) – (12V model)
Power cable position	Right or left. Front, back or through side
Air flow	35 m ³ /min. (14.5 m ³ /min. per meter)
Environment temp.	-25 à +50 °C
Weight	12.6 kg (5.2 kg per meter)
Noise	<60 dB



energy solutions in conditioned transport
www.brightec.nl