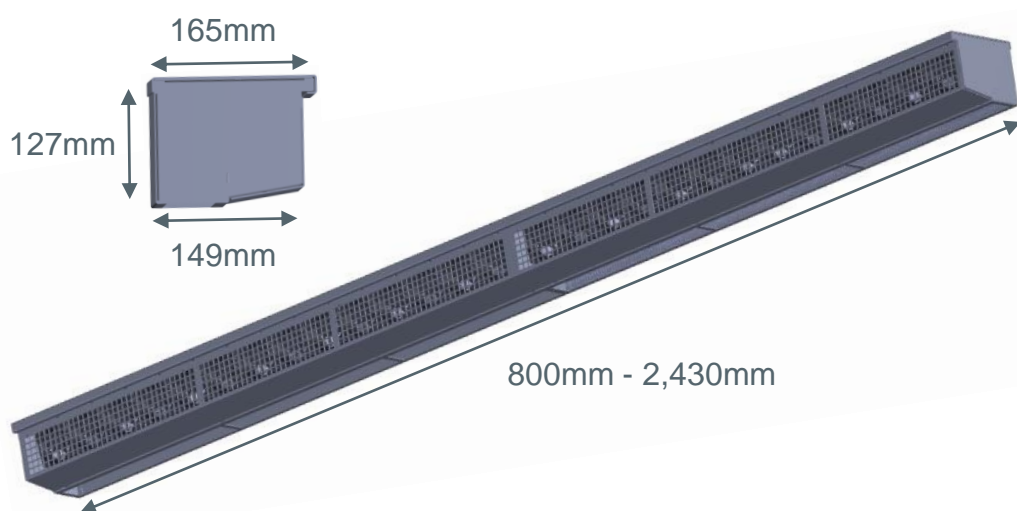


## The air curtain that keeps the cold or heat in vehicles

- The BlueSeal air curtain creates an effective and invisible climate separation in vehicles: it keeps the cold / heat inside, and ambient humid air out during door openings
- It is an innovative air curtain perfected for temperature controlled transport of temperature sensitive products
- BlueSeal is a better performing alternative to PVC strip curtains
- The air curtain fits in most types of road transport vehicles: trailers, trucks, vans, (incl. vehicles with shutter doors)



### Technical specifications (O-24N2-[...], O-24S1-[...])

Length	Max. length 2,430mm (800mm – 2,430mm)
Height	127mm
Depth	149mm
Execution	Aluminium (anodized)
Fan type	Axial
# Fans	27
Voltage	24V and 12V (with converter)
Electric power	120W (50W per meter)
Air flow	32 m <sup>3</sup> /min. (13 m <sup>3</sup> /min. per meter)
Electric current	5.0A (2.0A per meter)
Environment temp.	-25 to +50 °C
Weight	16.7 kg (6.9 kg per meter)
Noise	<60 dB (PIEK certified)